



# HANDLE COMPLETE

**A1** MAIN TRAY ASSEMBLED SET MODEL M4  
P40-01B-HCASSM

**A2** TRAY LID ASSEMBLED SET MODEL M4  
P40-05B-HCASSM

**A3** MOUNT TAB COMPLETE  
06-P62-ASS

**A4** UMBRELLA CLIP COMPLETE  
09-P03-ASS

**A5** TUBING GUARD LEFT & RIGHT KIT c/w SCREWS  
06-P49-ASS

**A6** BRAKE CABLE SET Model 3.5+  
35-M01-ASS

**A7** BRAKE HANDLE ASSEMBLED SET Model 3.5+  
35-P01-ASS

**A8** UMBRELLA HOLDER w/STRAP  
P40-15B-HCASSM

**31** M5X43 BOLT  
06-M29-M5X43PM

**30** UMBRELLA MOUNT  
09-P42-U005-00

**29** UMBRELLA BRAKE MOUNT  
P35-64B-HCPAFG

**28** BRAKE SPACER  
09-P06

**27** ST4.0 X 18mm PT SCREW  
06-M41-ST4X18PT

**26** M5 NYLOCK NUT  
06-M43-M5NL

**25** BRAKE CABLE Model 3.5+  
M35-25X-NPCXXX

**24** CABLE ADJUST NUT AND BOLT  
Model 3.5+  
06-M06-FW02

**23** BRAKE CABLE SHEATH  
Model 3.5+  
M35-26X-NPCXXX

**22** BRAKE LEVER  
P35-63B-HCPAFG

**4** 6mm MAGNET  
06-M16-M6MAG

**21** M6 X 44mm BOLT  
06-M33-M6X44PM

**20** M6 NYLOCK NUT  
06-M44-M6x6NL

**A3** MOUNT TAB COMPLETE  
06-P62-ASS

**19** HANDLE FOAM Model 3.0  
09-T12  
( 2 PCS INCLUDED )

**18** HANDLE TUBE Model 3.0  
T40-10B-HCXXXX

**17** ST3.0 X 10mm PWA SCREW  
06-M39-ST3X10PWA

**16** ST4.0 X 18mm PT SCREW  
06-M41-ST4X18PT

**15** HANDLE GUARD(RIGHT)  
06-P50-C009-00

**10** ST3.0 X10mm PA SCREW  
06-M39-ST3X8PA

**14** STORAGE NET  
Z40-06B-HCXXXX

**34** ST4.0X14mm PT SCREW  
B1C-33X-FWST04

**33** ST4.0 X 18mm PT SCREW  
06-M41-ST4X18PT

**32** BRAKE ADJUSTER PIVOT  
P35-65B-HCPAFG

**1** CONSOLE STRAP  
Z40-02X-HC165X

**2** TRAY LID  
P40-05B-HCPPXX

**3** ST2.6 X 8mm PWA SCREW  
06-M38-ST2.6X8PWA

**4** 6mm MAGNET  
06-M16-M6MAG

**5** BALL HOLDER CLIP  
09-P05

**6** ST3.5 X 15mm PWA SCREW  
09-M01

**7** TRAY Model 4  
P40-01B-HCPPXX

**A4** UMBRELLA CLIP COMPLETE  
09-P03-ASS

**8** UMBRELLA CLIP  
09-P03

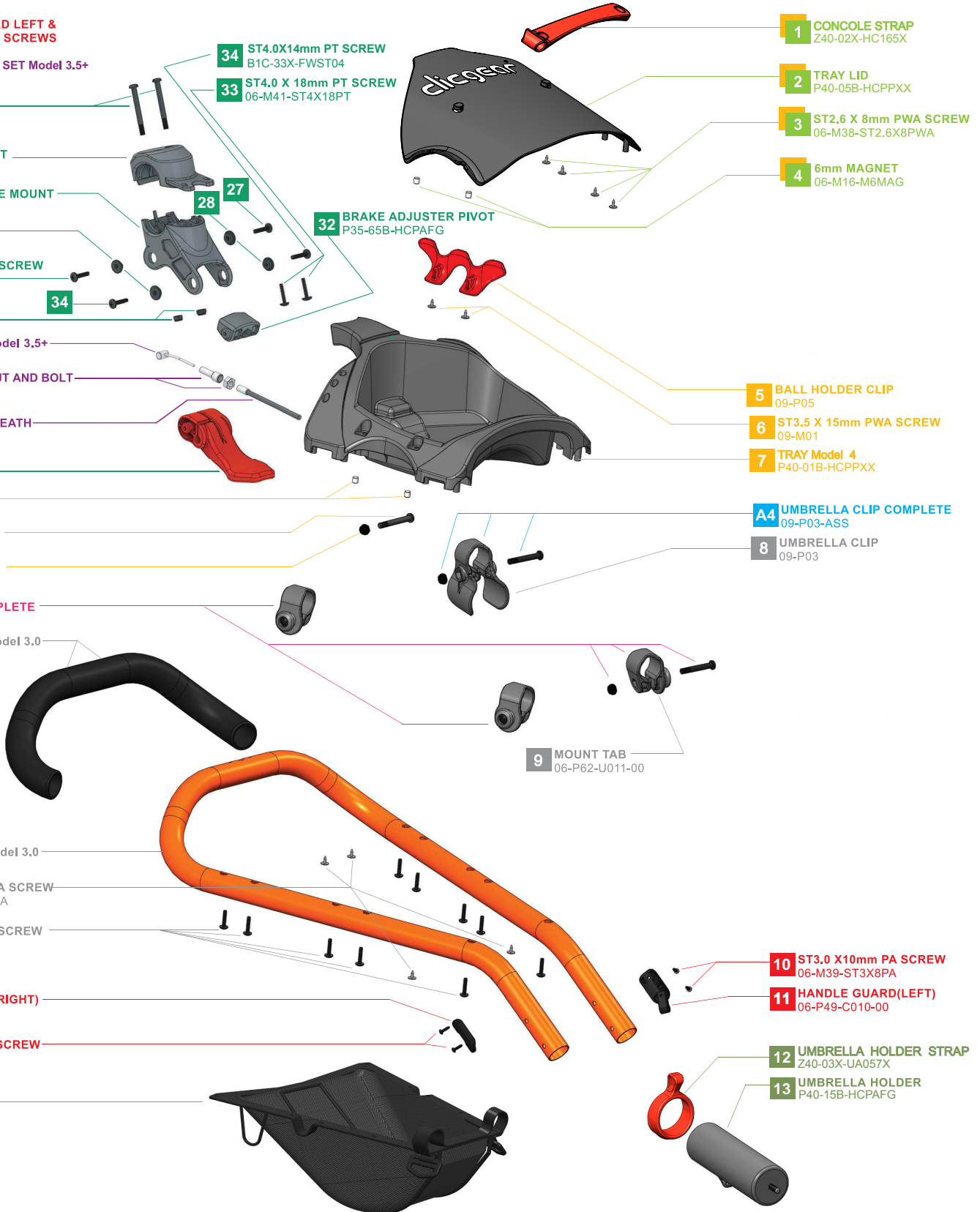
**9** MOUNT TAB  
06-P62-U011-00

**10** ST3.0 X10mm PA SCREW  
06-M39-ST3X8PA

**11** HANDLE GUARD(LEFT)  
06-P49-C010-00

**12** UMBRELLA HOLDER STRAP  
Z40-03X-UA057X

**13** UMBRELLA HOLDER  
P40-15B-HCPAFG

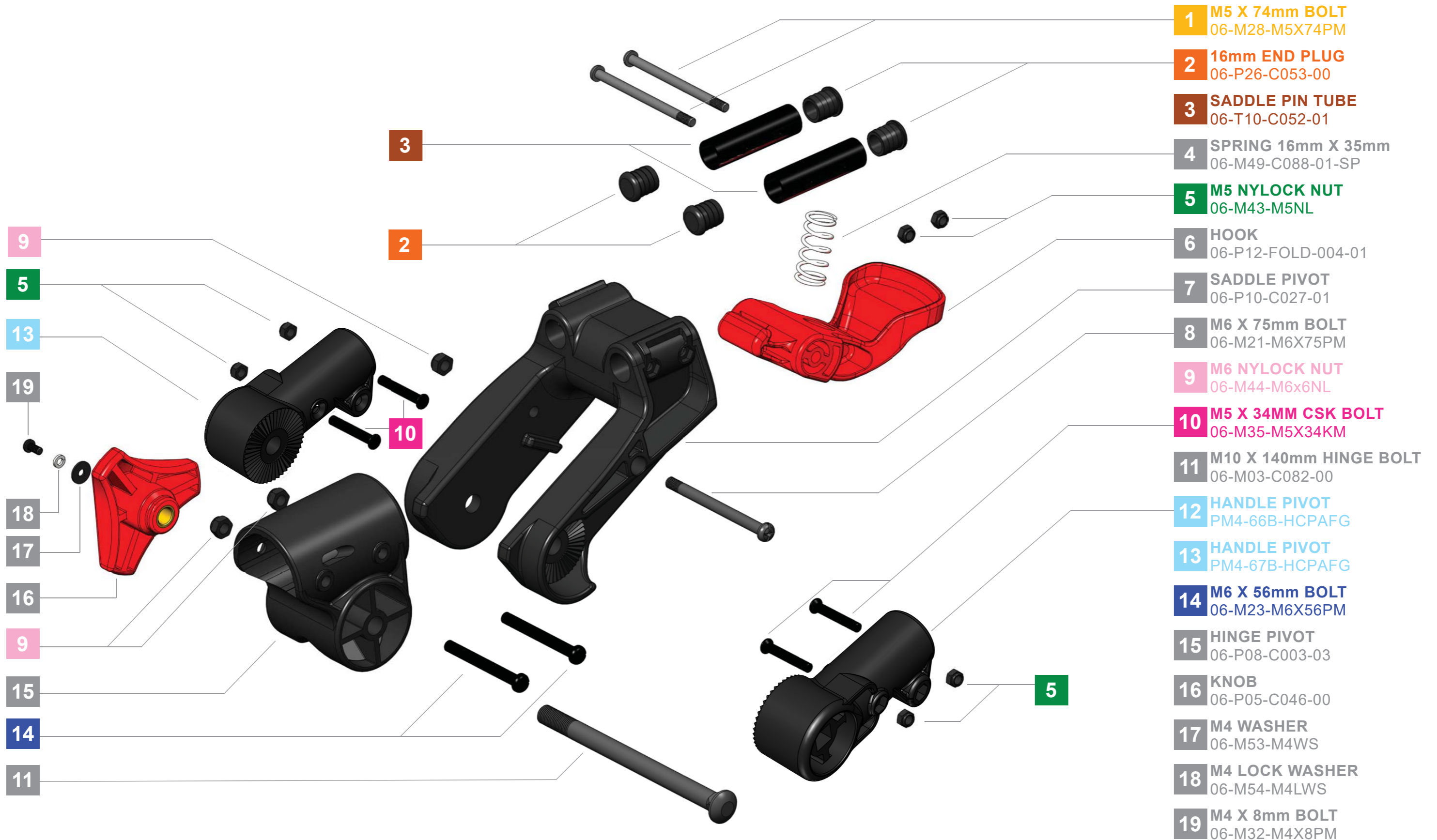


MODEL  
**2.0**

MODEL  
**3.0**

# UPPER SADDLE ASSEMBLY

V1.0





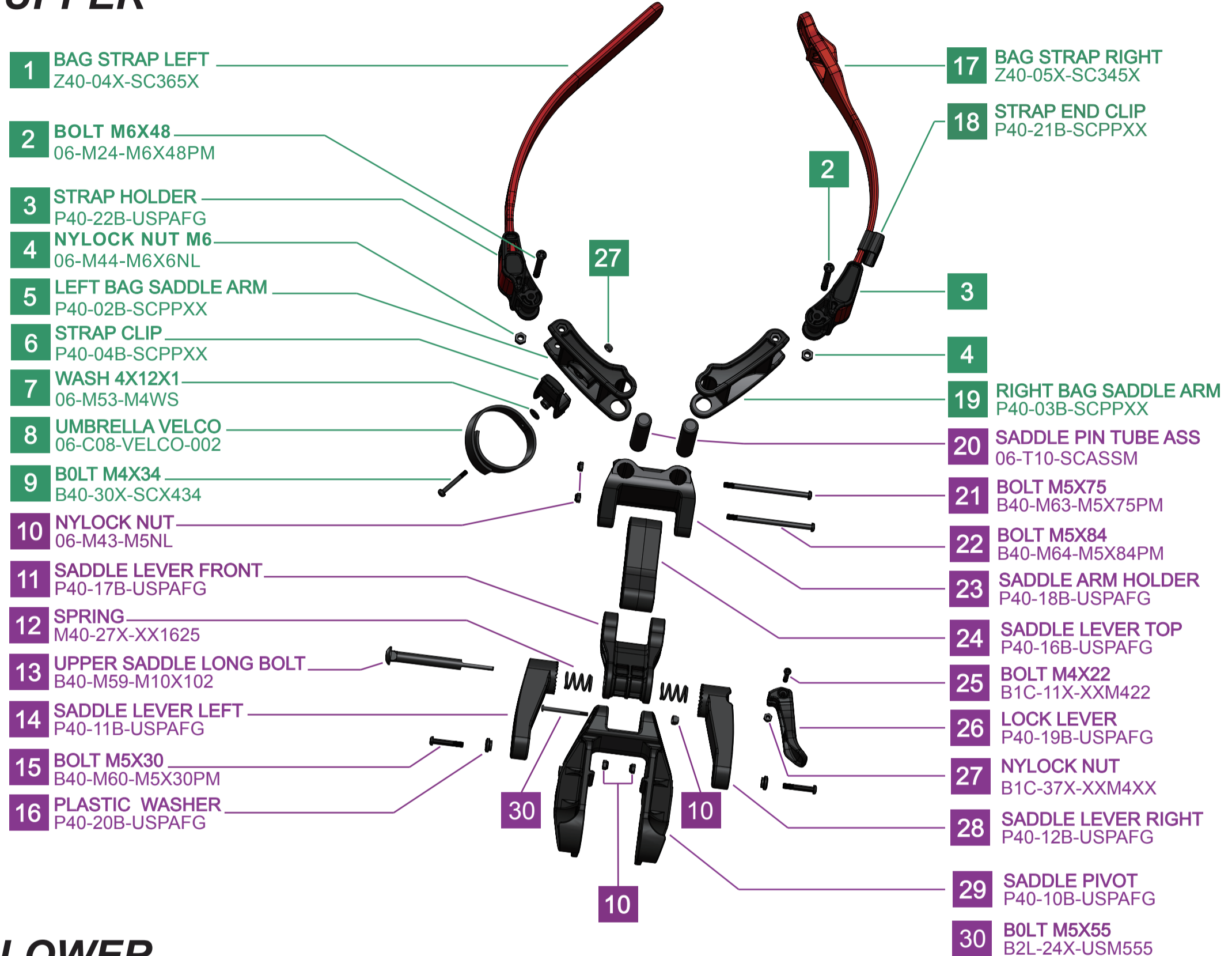
# STRAPS COMPLETE

**A1** UPPER STRAP ASSM  
Z40-04X-SCASSM

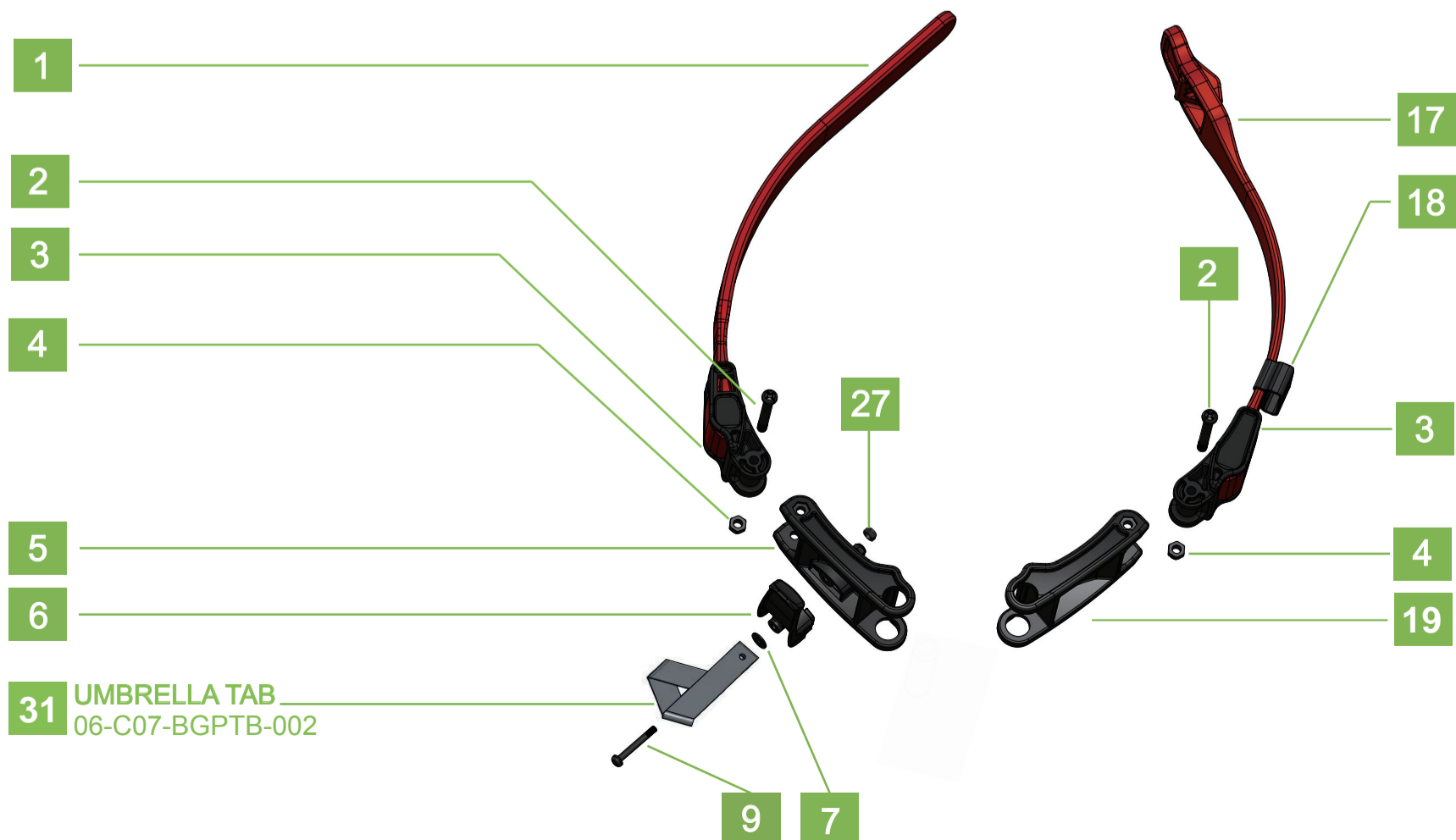
**A2** LOWER STRAP ASSM  
Z40-05X-SCASSM

**A3** ADJ UPPER SADDLE ASSM  
P40-10B-SCASSM

## UPPER

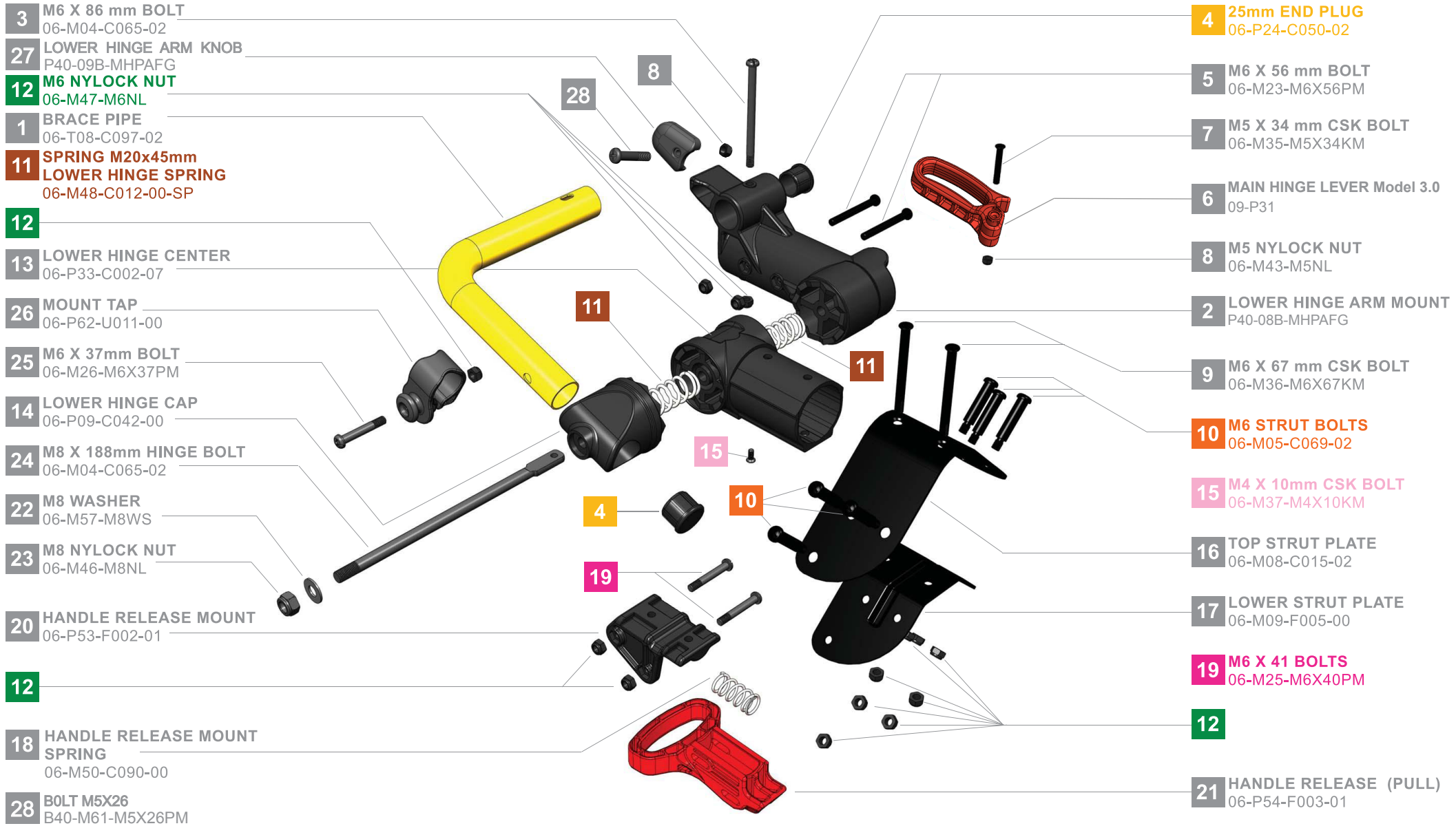


## LOWER





# MAIN HINGE ASSEMBLY



**3** M6 X 86 mm BOLT  
06-M04-C065-02

**27** LOWER HINGE ARM KNOB  
P40-09B-MHPAFG

**12** M6 NYLOCK NUT  
06-M47-M6NL

**1** BRACE PIPE  
06-T08-C097-02

**11** SPRING M20x45mm  
LOWER HINGE SPRING  
06-M48-C012-00-SP

**12**

**13** LOWER HINGE CENTER  
06-P33-C002-07

**26** MOUNT TAP  
06-P62-U011-00

**25** M6 X 37mm BOLT  
06-M26-M6X37PM

**14** LOWER HINGE CAP  
06-P09-C042-00

**24** M8 X 188mm HINGE BOLT  
06-M04-C065-02

**22** M8 WASHER  
06-M57-M8WS

**23** M8 NYLOCK NUT  
06-M46-M8NL

**20** HANDLE RELEASE MOUNT  
06-P53-F002-01

**12**

**18** HANDLE RELEASE MOUNT  
SPRING  
06-M50-C090-00

**28** BOLT M5X26  
B40-M61-M5X26PM

**4** 25mm END PLUG  
06-P24-C050-02

**5** M6 X 56 mm BOLT  
06-M23-M6X56PM

**7** M5 X 34 mm CSK BOLT  
06-M35-M5X34KM

**6** MAIN HINGE LEVER Model 3.0  
09-P31

**8** M5 NYLOCK NUT  
06-M43-M5NL

**2** LOWER HINGE ARM MOUNT  
P40-08B-MHPAFG

**9** M6 X 67 mm CSK BOLT  
06-M36-M6X67KM

**10** M6 STRUT BOLTS  
06-M05-C069-02

**15** M4 X 10mm CSK BOLT  
06-M37-M4X10KM

**16** TOP STRUT PLATE  
06-M08-C015-02

**17** LOWER STRUT PLATE  
06-M09-F005-00

**19** M6 X 41 BOLTS  
06-M25-M6X40PM

**12**

**21** HANDLE RELEASE (PULL)  
06-P54-F003-01



# LOWER BAG SUPPORT

**1** 19mm END PLUG  
06-P25-C036-02

**2** M6 X 37mm BOLT  
06-M26-M6X37PM

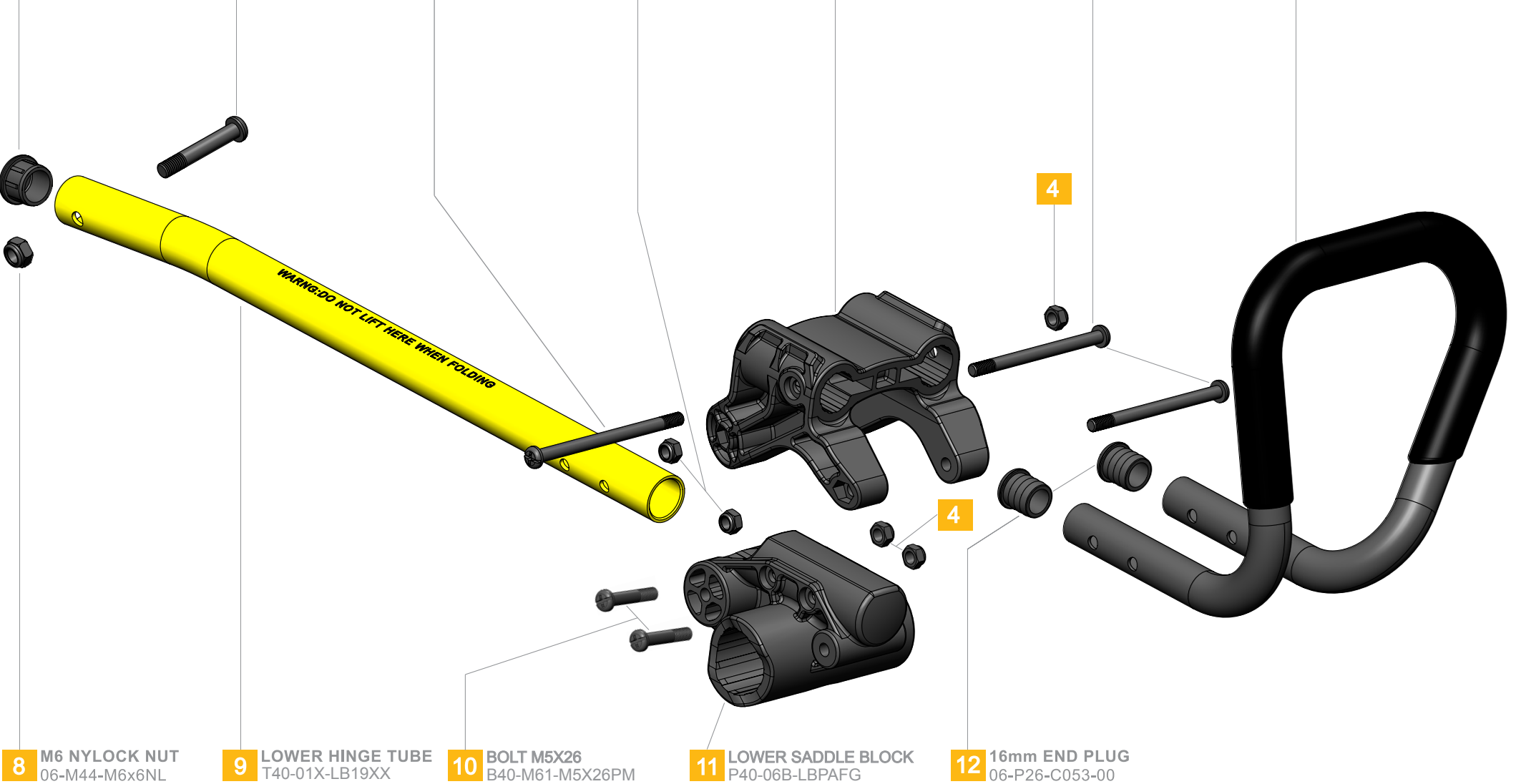
**3** BOLT M5X74  
06-M28-M5X74PM

**4** M5 NYLOCK NUT  
06-M43-M5NL

**5** LOWER SADDLE HOLDER  
P40-07B-LBPAFG

**6** BOLT M5 X 65  
B40-M62-M5X65PM

**7** BAG BOTTOM SUPPORT  
06-T09-C099-03



**8** M6 NYLOCK NUT  
06-M44-M6x6NL

**9** LOWER HINGE TUBE  
T40-01X-LB19XX

**10** BOLT M5X26  
B40-M61-M5X26PM

**11** LOWER SADDLE BLOCK  
P40-06B-LBPAFG

**12** 16mm END PLUG  
06-P26-C053-00

MODEL  
**30**

MODEL  
**3.5+**

# STRUT ASSEMBLY

**1** SLIDER BRACKET  
06-P27-C004-01

**2** M6 X 35mm BOLT  
06-M27-M6X35PM

**7** STRUT PUSH ROD TUBE  
06-T06-C093-01

**4** M6 X 72mm BOLT  
B30-M22-M6X72PM

**5** RIGHT STRUT BRACKET  
06-P19-C039-00

**6** M6 NYLOCK NUT  
06-M44-M6x6NL

**3** 19MM END PLUG  
06-P25-C036-02

**14** MAIN STRUT END PLUG  
06-P22-C035-00

**15** M6 X 40mm BOLT  
06-M25-M6X40PM

**19** M12 WASHER  
06-M57-M12WS

**18** M10 C-CLIP  
06-M58-M10ECP

**20** M12 O-RING  
06-R05-M12-O-RING

**22** 12mm x 95mm REAR AXLE  
06-TIRE-001-00

**21** BEARING CAP  
06-P61-TIRE-007-01

**3**

**6**

**23**

**3**

**9** MAIN STRUT TOP PLUG  
06-P21-C040-00

**10** SECOND STRUT TOP SUPPORT  
06-P23-C041-00

**8** MAIN STRUT  
06-T04-C094-02

**11** SECONDARY STRUT TUBE  
06-T05-C016-03

**12** LEFT STRUT BRACKET  
06-P18-C044-00

**3**

**17** RIGHT LOWER STRUT PIVOT  
06-P15-C029-02

**16** M12 NYLOCK NUT  
06-M47-M12NL

**13** LEFT LOWER STRUT PIVOT  
06-P14-C026-02

**6**

**23** STRUT PUSH ROD TUBE SET  
c/w END CAPS

WHITE  
06-T06-C093-WH

BLACK  
06-T06-C093-BK

SILVER  
06-T06-C093-SL

BLUE  
06-T06-C093-BU

YELLOW  
06-T06-C093-YW

ORANGE  
06-T06-C093-OR

KIWI  
06-T06-C093-KW

RED  
06-T06-C093-RD

LAVENDER  
06-T06-C093-LV



MODEL

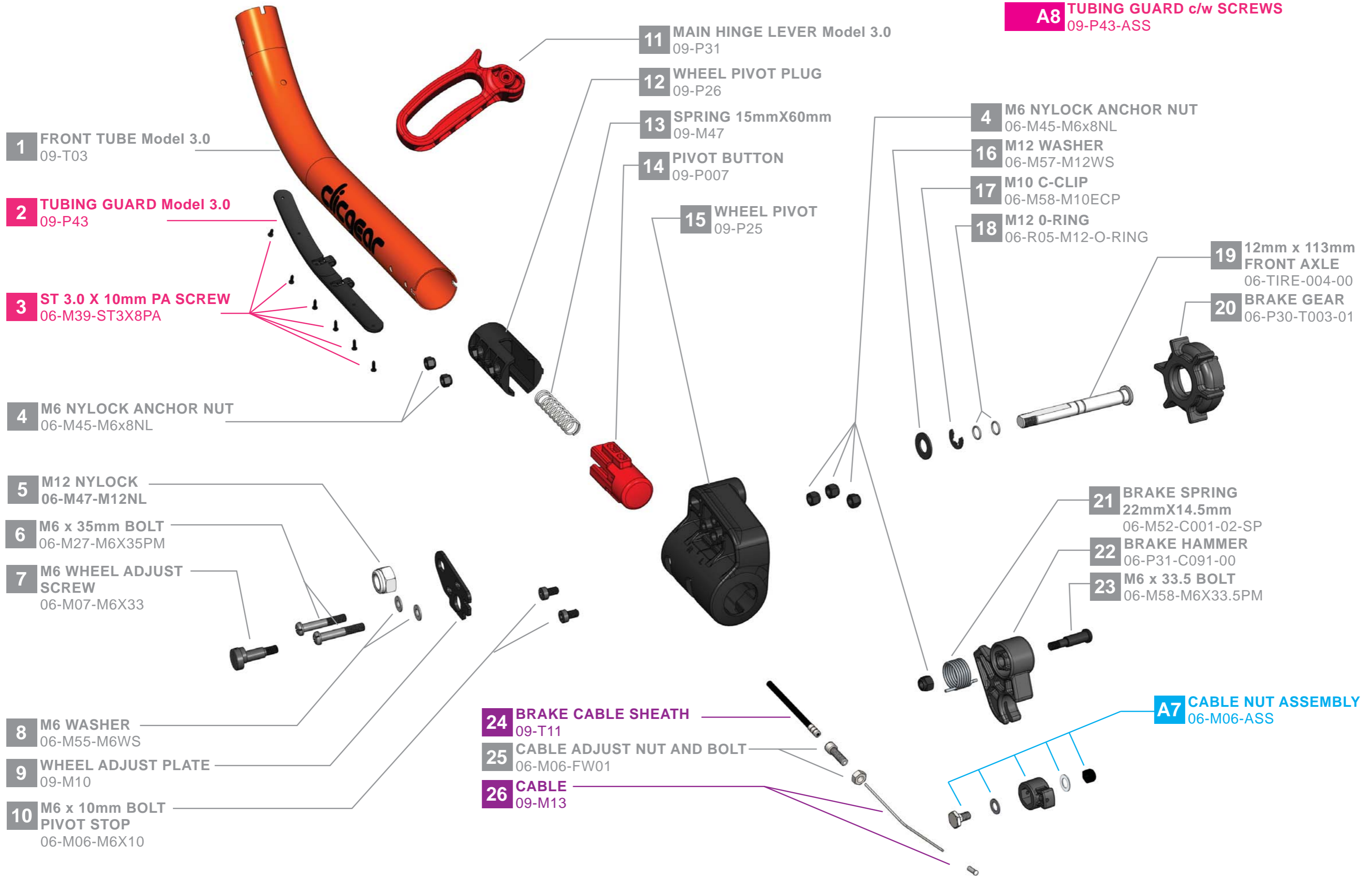
3.0

# FRONT WHEEL PIVOT

**A6** BRAKE CABLE SET Model 3.0  
09-M13-ASS

**A7** CABLE NUT ASSEMBLY  
06-M06-ASS

**A8** TUBING GUARD c/w SCREWS  
09-P43-ASS



**1** FRONT TUBE Model 3.0  
09-T03

**2** TUBING GUARD Model 3.0  
09-P43

**3** ST 3.0 X 10mm PA SCREW  
06-M39-ST3X8PA

**4** M6 NYLOCK ANCHOR NUT  
06-M45-M6x8NL

**5** M12 NYLOCK  
06-M47-M12NL

**6** M6 x 35mm BOLT  
06-M27-M6X35PM

**7** M6 WHEEL ADJUST  
SCREW  
06-M07-M6X33

**8** M6 WASHER  
06-M55-M6WS

**9** WHEEL ADJUST PLATE  
09-M10

**10** M6 x 10mm BOLT  
PIVOT STOP  
06-M06-M6X10

**11** MAIN HINGE LEVER Model 3.0  
09-P31

**12** WHEEL PIVOT PLUG  
09-P26

**13** SPRING 15mmX60mm  
09-M47

**14** PIVOT BUTTON  
09-P007

**15** WHEEL PIVOT  
09-P25

**4** M6 NYLOCK ANCHOR NUT  
06-M45-M6x8NL

**16** M12 WASHER  
06-M57-M12WS

**17** M10 C-CLIP  
06-M58-M10ECP

**18** M12 O-RING  
06-R05-M12-O-RING

**19** 12mm x 113mm  
FRONT AXLE  
06-TIRE-004-00

**20** BRAKE GEAR  
06-P30-T003-01

**21** BRAKE SPRING  
22mmX14.5mm  
06-M52-C001-02-SP

**22** BRAKE HAMMER  
06-P31-C091-00

**23** M6 x 33.5 BOLT  
06-M58-M6X33.5PM

**24** BRAKE CABLE SHEATH  
09-T11

**25** CABLE ADJUST NUT AND BOLT  
06-M06-FW01

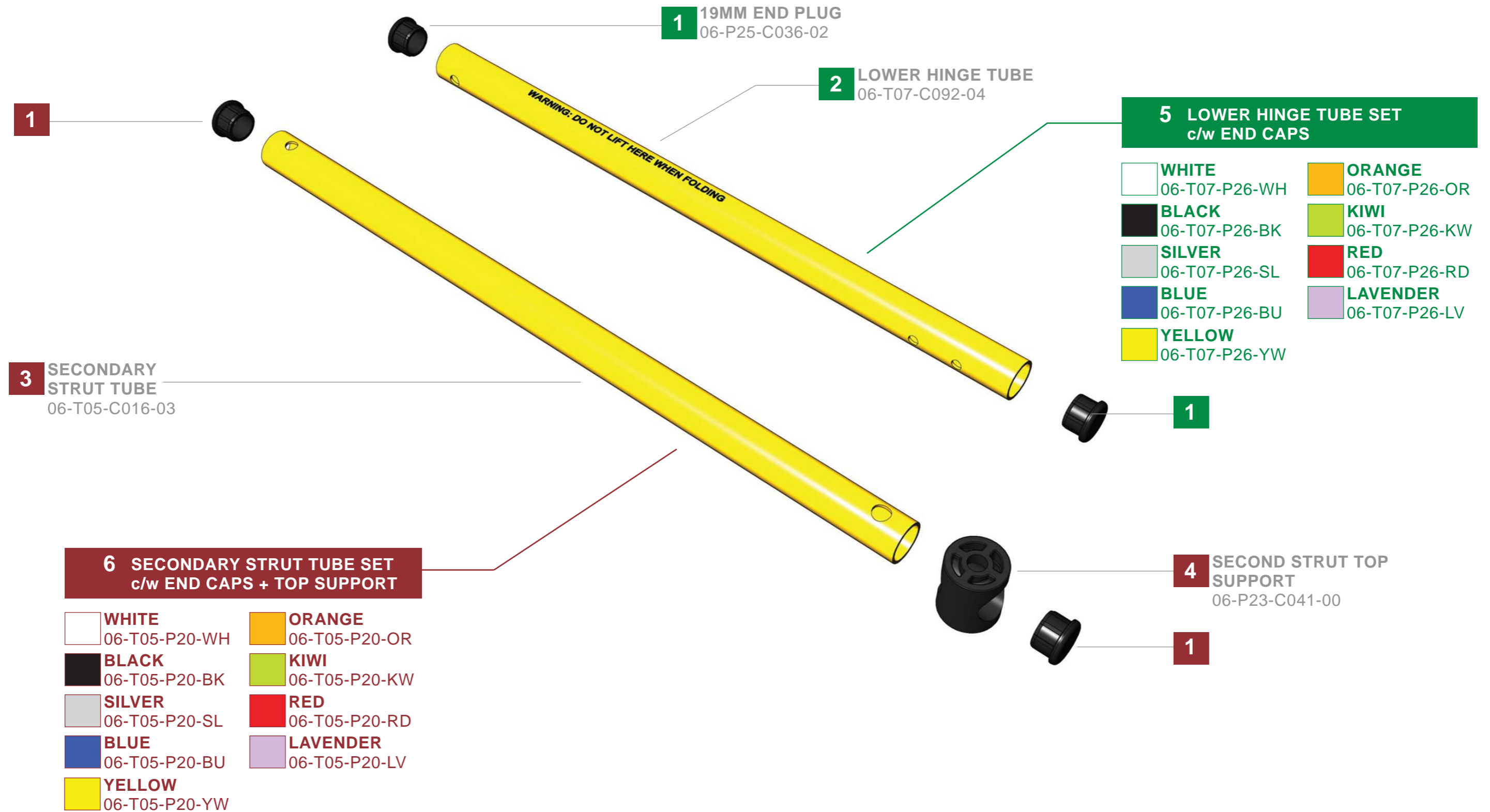
**26** CABLE  
09-M13

**A7** CABLE NUT ASSEMBLY  
06-M06-ASS

MODEL  
**2.0**

MODEL  
**3.0**

# TUBING KITS





MODEL  
**2.0**

MODEL  
**3.0**

# RIGHT WHEEL COMPLETE

**1** M12 NYLOCK NUT  
06-M47-M12NL

**2** RIGHT LOWER  
STRUT PIVOT  
06-P15-C029-02

**3** M10 C-CLIP  
06-M58-M10ECP

**5** BEARINGS  $\phi 32 \times$   
 $\phi 12 \times 10 \text{mm}$   
06-TIRE-002-00

**7** 12mm x 95mm  
REAR AXLE  
06-TIRE-001-00

**8** BEARING CAP  
06-P61-TIRE-007-01

**4** M12 WASHER  
 $\phi 12 \times \phi 23.5 \times 1.5$   
06-M57-M12WS

**5**

**6** M12 O-RING  
06-R05-M12-O-RING

**9** Assembled Wheel (RIGHT)  
(Model 2.0) c/w AXLE  
06-R08-RWHL



MODEL  
**2.0**

MODEL  
**3.0**

# LEFT WHEEL COMPLETE

**1** BEARING CAP  
06-P61-TIRE-007-01

**2** 12mm x 95mm  
REAR AXLE  
06-TIRE-001-00

**4** BEARINGS  $\phi 32 \times \phi 12 \times 10 \text{mm}$   
06-TIRE-002-00

**4** **6** M12 WASHER  
 $\phi 12 \times \phi 23.5 \times 1.5$   
06-M57-M12WS

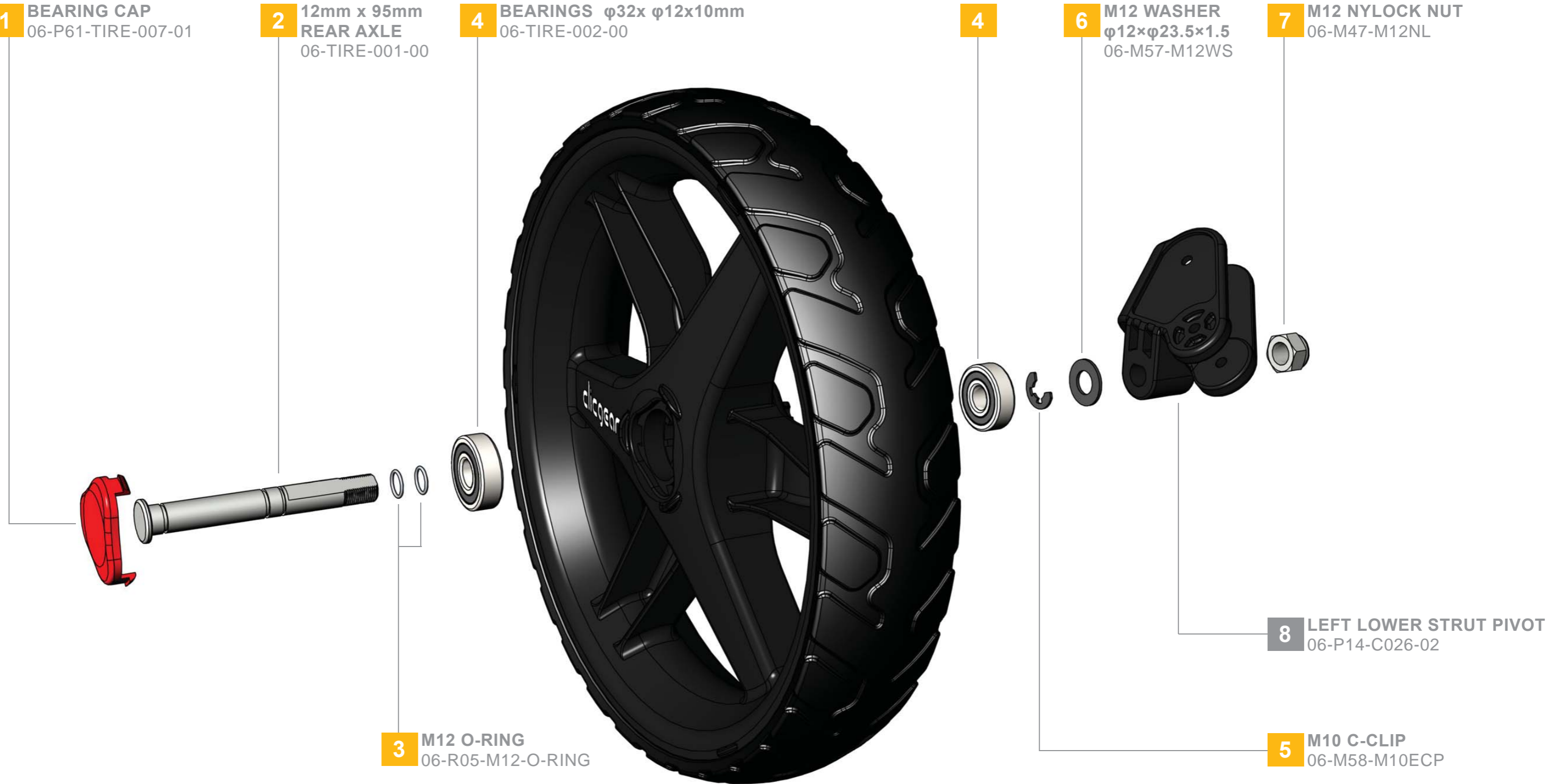
**7** M12 NYLOCK NUT  
06-M47-M12NL

**3** M12 O-RING  
06-R05-M12-O-RING

**8** LEFT LOWER STRUT PIVOT  
06-P14-C026-02

**5** M10 C-CLIP  
06-M58-M10ECP

**9** Assembled Wheel (LEFT)  
(Model 2.0) c/w AXLE  
06-R08-LWHL



MODEL  
**2.0**

MODEL  
**3.0**

# FRONT WHEEL COMPLETE

1 M12 NYLOCK NUT  
06-M47-M12NL

2 BRAKE GEAR  
06-P30-T003-01

3 BEARINGS  $\phi 32 \times$   
 $\phi 12 \times 10 \text{mm}$   
06-TIRE-002-00

9 WHEEL RIM  
06-TIRE-008-01

3

7 12mm x 95mm  
REAR AXLE  
06-TIRE-001-00

8 BEARING CAP  
06-P61-TIRE-007-01

4 M12 WASHER  
 $\phi 12 \times \phi 23.5 \times 1.5$   
06-M57-M12WS

5 M10 C-CLIP  
06-M58-M10ECP

6 M12 O-RING  
06-R05-M12-O-RING

10 Assembled Wheel (FRONT) (Model 2.0)  
c/w AXLE + BRAKE GEAR  
06-R08-FWHL

